

TW1-243/273

INSTRUCTION BOOK / PARTSLIST

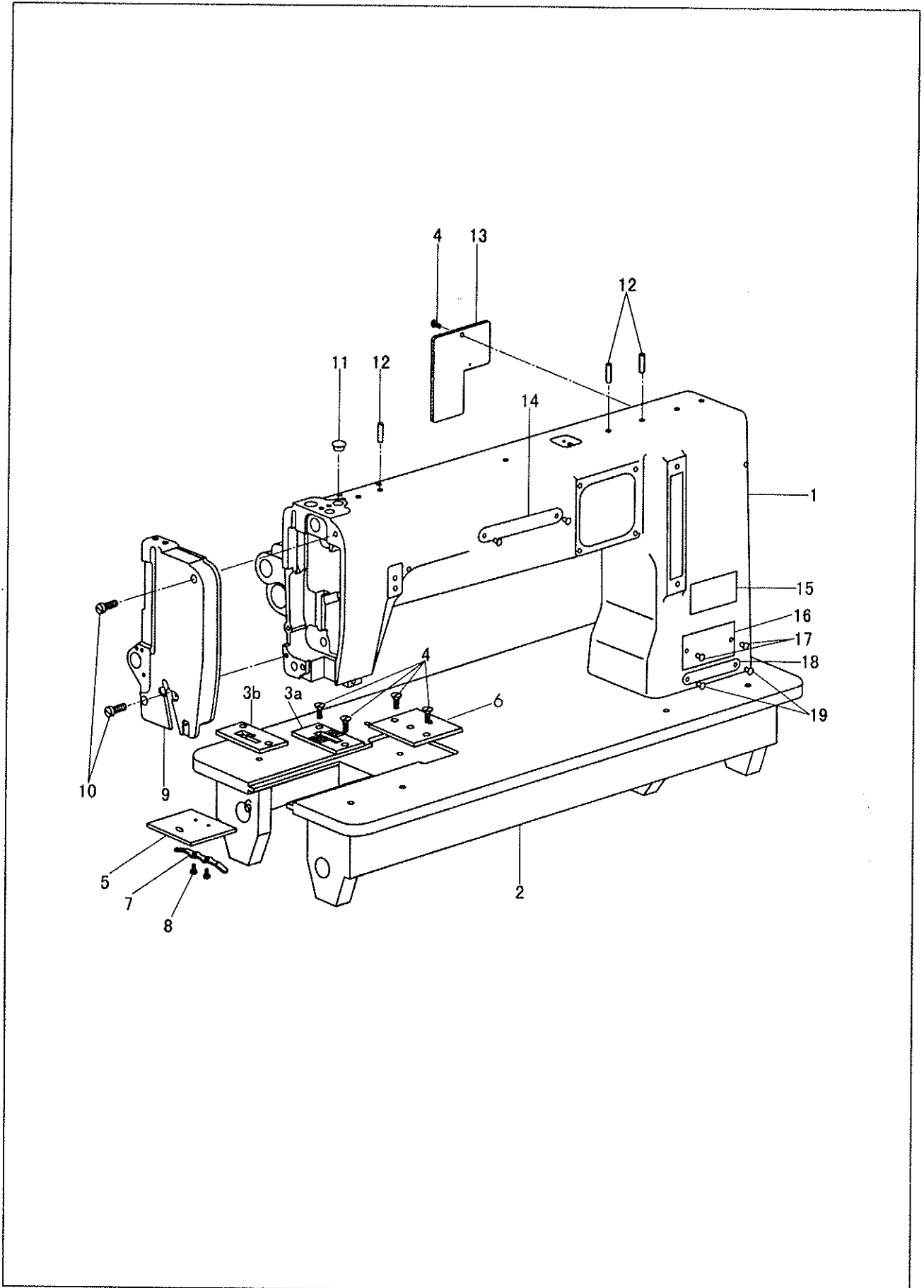


SINGLE NEEDLE COMPOUND FEED TOP AND BOTTOM FEED EXTRA
HEAVY DUTY LOCKSTITCH SEWING MACHINE

TYPICAL

Parts manual

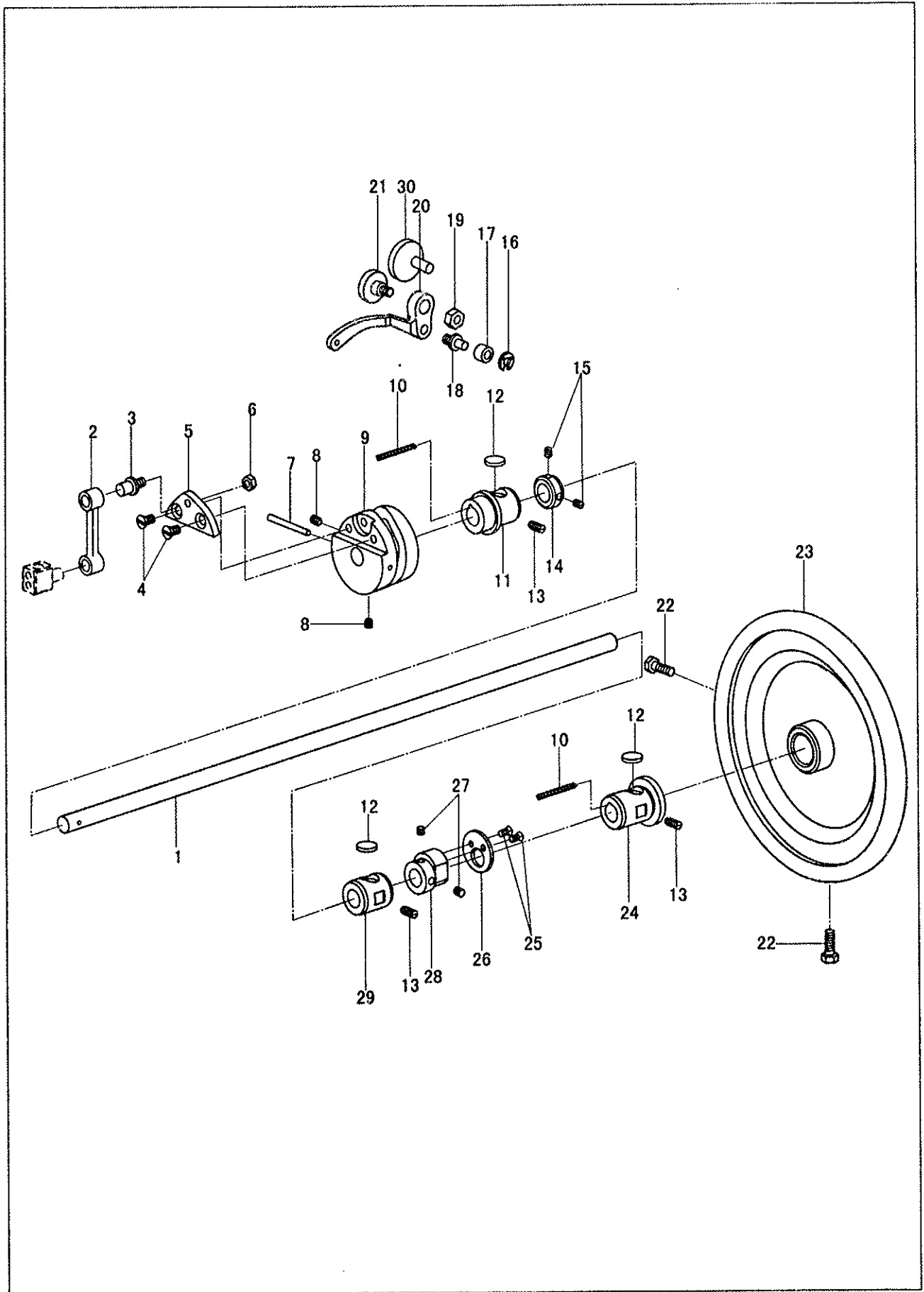
1. Machine casting components



1. Machine casting components

| No. | Parts No. | Name | Qty. | Remarks |
|-----|------------------|--------------------|------|-------------|
| 1 | 60WF2-008 | Machine casting | 1 | For TW1-243 |
| | 73WF2-001 | Machine casting | 1 | For TW1-273 |
| 2 | 60WF2-001 | Bed | 1 | |
| 3a | 60WF2-002 | Needle plate | 1 | For TW1-243 |
| 3b | 73WF2-002 | Needle plate | 1 | For TW1-273 |
| 4 | 49WF2-009 | Screw | 4 | |
| 5 | 60WF2-003 | Slide plate(front) | 1 | |
| 6 | 60WF2-004 | Slide plate(rear) | 1 | |
| 7 | 60WF2-005 | Slide plate spring | 1 | |
| 8 | 61-04-01/B7/Z103 | Screw | 2 | |
| 9 | 58WF2-002 | Face plate | 1 | For TW1-243 |
| | 52WF2-003 | Face plate | 1 | For TW1-273 |
| 10 | 16WF3-061 | Screw | 2 | |
| 11 | 22T1-003C4 | Rubber plug | 1 | For TW1-243 |
| 12 | 52WF2-009 | Oil pipe | 3 | |
| 13 | 60WF2-003 | Back cover | 1 | For TW1-243 |
| | 52WF2-004 | Back cover | 1 | For TW1-273 |
| 14 | 16WF2-053 | Brand label | 1 | |
| 15 | 1KT1-005 | Warning label | 1 | |
| 16 | 60WF2-006 | Model label | 1 | For TW1-243 |
| | | Model label | 1 | For TW1-273 |
| 17 | | Rivet | 4 | |
| 18 | 4KT1-005 | Series label | 1 | |
| 19 | 35WF1-054 | Rivet | 2 | |

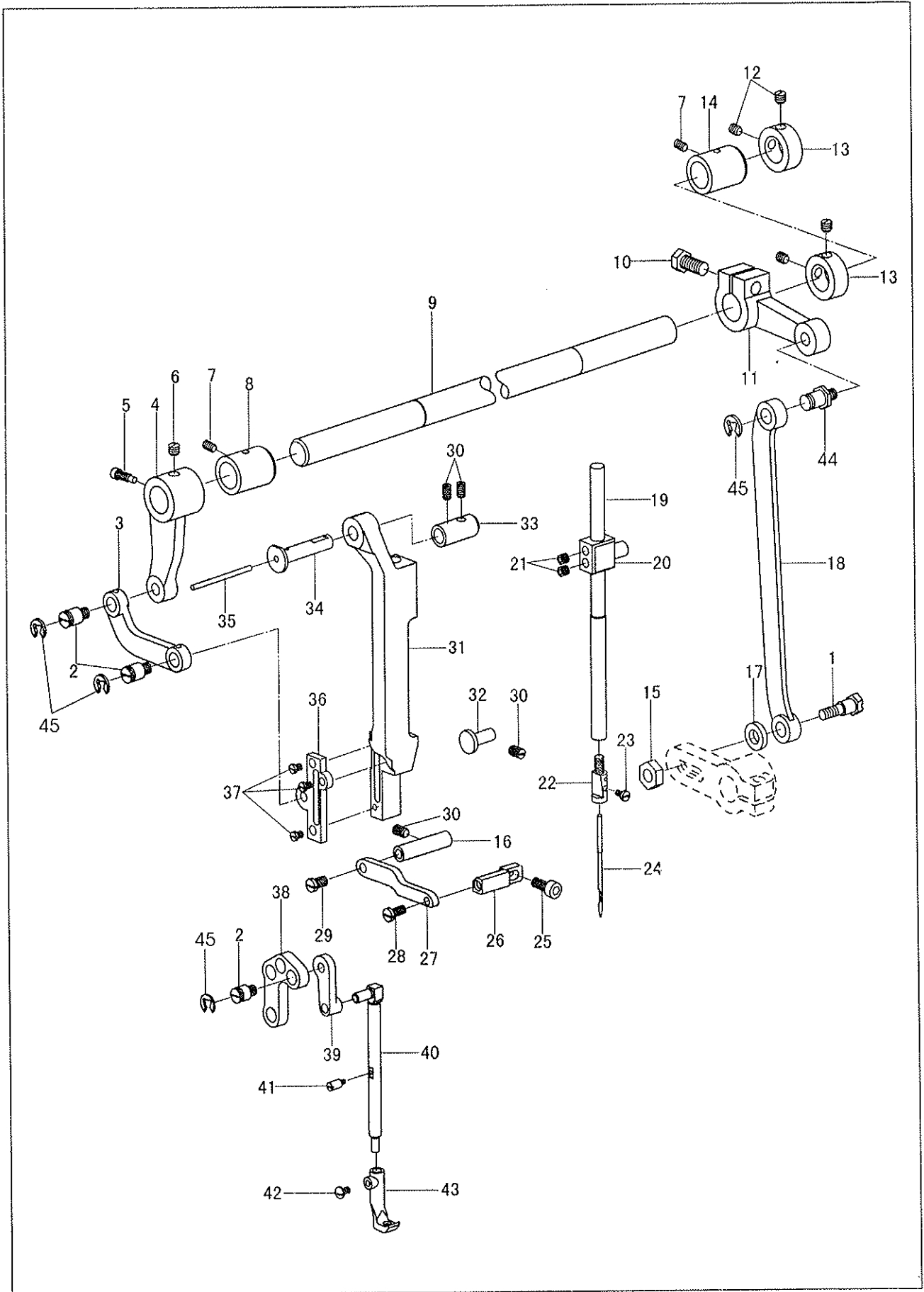
2. Upper shaft components



2. Upper shaft components

| No. | Parts No. | Name | Qty. | Remarks |
|-----|-----------|-----------------------------|------|----------------|
| 1 | 52WF1-001 | Upper shaft | 1 | |
| 2 | 52WF1-007 | Needle bar link | 1 | For TW1-273 |
| | 58WF1-001 | Needle bar link | 1 | For TW1-243 |
| 3 | 52WF1-010 | Needle bar link shaft | 1 | |
| 4 | 52WF1-009 | Screw | 2 | |
| 5 | 52WF1-008 | Needle bar link bracket | 1 | |
| 6 | 7KT1-007 | Nut | 1 | |
| 7 | 7KT1-052 | Pin | 1 | |
| 8 | 21WF1-022 | Screw | 2 | |
| 9 | 52WF1-005 | Thread take-up cam | 1 | |
| 10 | | Oil wick | 2 | |
| 11 | 52WF1-002 | Upper shaft bushing(front) | 1 | |
| 12 | | Oil felt | 3 | |
| 13 | JO.0.40 | Screw | 3 | SM15/64" ×28×8 |
| 14 | 52WF1-041 | Collar | 1 | |
| 15 | 22WF4-002 | Screw | 2 | |
| 16 | | Retainer | 1 | GB960-86-5 |
| 17 | 52WF1-013 | Rolling ball | 1 | |
| 18 | 52WF1-014 | Thread take-up shaft | 1 | |
| 19 | 7KT1-007 | Nut | 1 | |
| 20 | 52WF1-011 | Thread take-up lever | 1 | |
| 21 | 52WF1-012 | Screw | 1 | |
| 22 | 7KT1-014 | Screw | 2 | |
| 23 | 52WF1-006 | Hand wheel | 1 | |
| 24 | 52WF1-004 | Upper shaft bushing(rear) | 1 | |
| 25 | 7KT4-035 | Screw | 2 | |
| 26 | 52WF4-028 | Feed cam plate | 1 | |
| 27 | 21WF3-010 | Screw | 2 | |
| 28 | 52WF4-027 | Feed cam | 1 | |
| 29 | 52WF1-003 | Upper shaft bushing(middle) | 1 | |
| 30 | 52WF1-058 | Pin | 1 | |

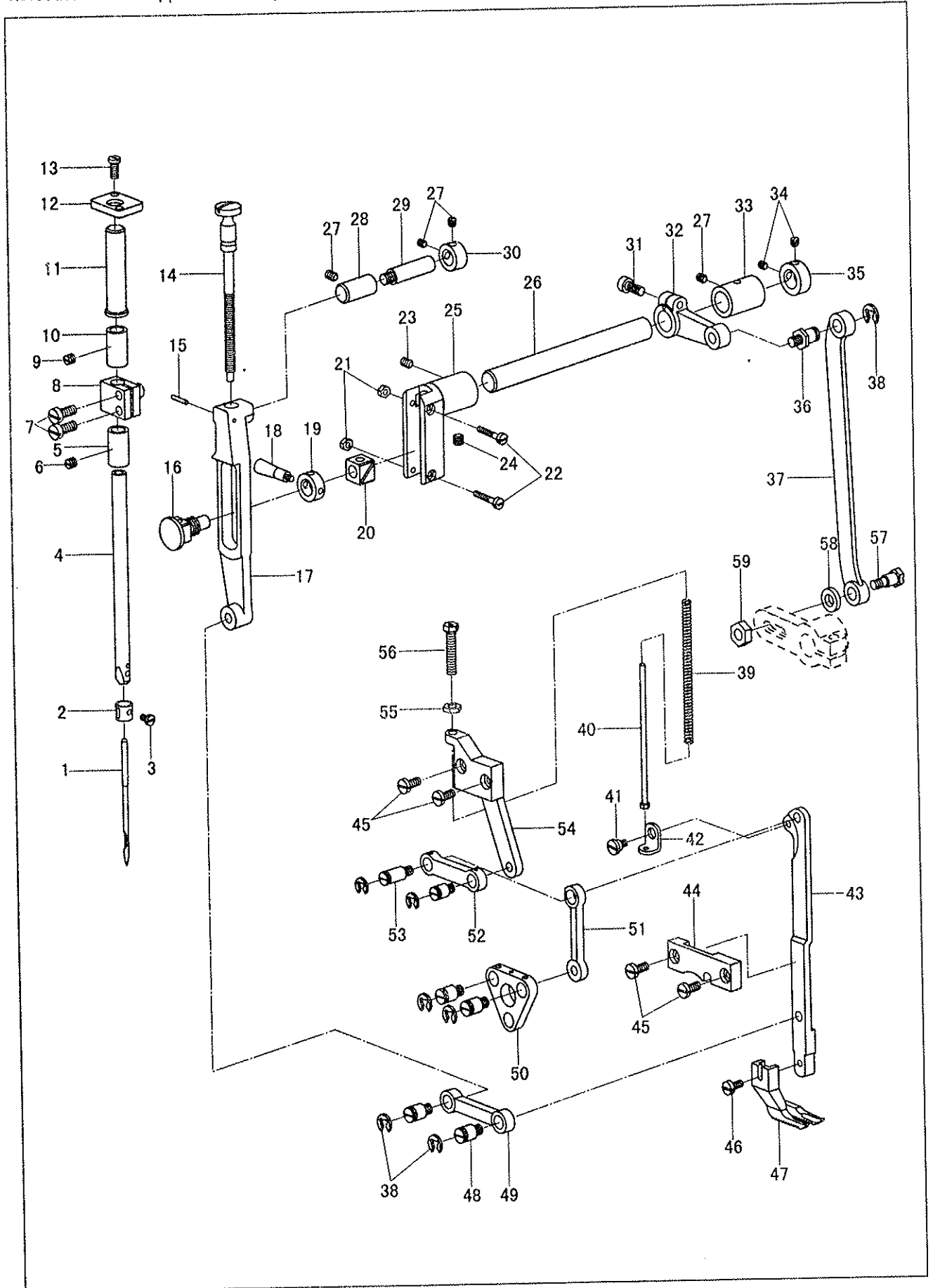
3. Needle bar and upper feed components(TW1-243)



3. Needle bar and upper feed components(TW1-243)

| No . | Parts No . | Name | Qty. | Remarks |
|------|-------------|--------------------------|------|----------|
| 1 | 52WF5-009 | Screw | 1 | |
| 2 | 52WF5-014 | Pin | 3 | |
| 3 | 58WF5-007 | Crank link(front) | 1 | |
| 4 | 58WF5-006 | Crank | 1 | |
| 5 | 61-04-01/B2 | Screw | 1 | |
| 6 | 22WF4-002 | Screw | 1 | |
| 7 | 17T5-016 | Screw | 2 | |
| 8 | 58WF5-003 | Upper feed shaft bushing | 1 | |
| 9 | 58WF5-001 | Upper feed shaft | 1 | |
| 10 | 58WF5-009 | Screw | 1 | |
| 11 | 60WF5-002 | Crank | 1 | |
| 12 | 22WF4-002 | Screw | 4 | |
| 13 | 58WF5-002 | Collar | 2 | |
| 14 | 58WF5-004 | Upper feed shaft bushing | 1 | |
| 15 | 58WF5-011 | Nut | 1 | |
| 16 | 58WF5-023 | Adjusting pin | 1 | |
| 17 | 52WF5-010 | Washer | 1 | |
| 18 | 60WF5-001 | Needle bar rocking link | 1 | |
| 19 | 58WF1-002 | Needle bar | 1 | |
| 20 | 58WF1-004 | Needle bar connector | 1 | |
| 21 | 21WF3-012 | Screw | 2 | |
| 22 | 58WF1-003 | Needle holder | 1 | |
| 23 | 22T2-004 | Scrwe | 1 | |
| 24 | | Needle | 1 | DY×3 26" |
| 25 | 266024(STH) | Screw | 1 | |
| 26 | 58WF5-024 | Driving rod | 1 | |
| 27 | 58WF5-025 | Pressing plate | 1 | |
| 28 | 22T6-008D3 | Screw | 1 | |
| 29 | 37T2-210 | Screw | 1 | |
| 30 | 58WF5-015 | Screw | 4 | |
| 31 | 58WF5-012 | Needle bar rocking frame | 1 | |
| 32 | 58WF5-016 | Pin rod | 1 | |
| 33 | 58WF5-014 | Bushing | 1 | |
| 34 | 58WF5-013 | Rocking frame shaft | 1 | |
| 35 | | Oil wick | 1 | |
| 36 | 58WF5-022 | Guide plate | 1 | |
| 37 | 6A3-07 | Screw | 3 | |
| 38 | 58WF5-021 | Rocking plate | 1 | |
| 39 | 58WF5-020 | Rocking link | 1 | |
| 40 | 58WF5-018 | Presser bar | 1 | |
| 41 | 58WF5-019 | Presser bar pin | 1 | |
| 42 | 22WF4-014 | Screw | 1 | |
| 43 | 58WF5-017 | Walking foot | 1 | |
| 44 | 52WF2-005 | Pin | 1 | |
| 45 | | Lock spring | 4 | |

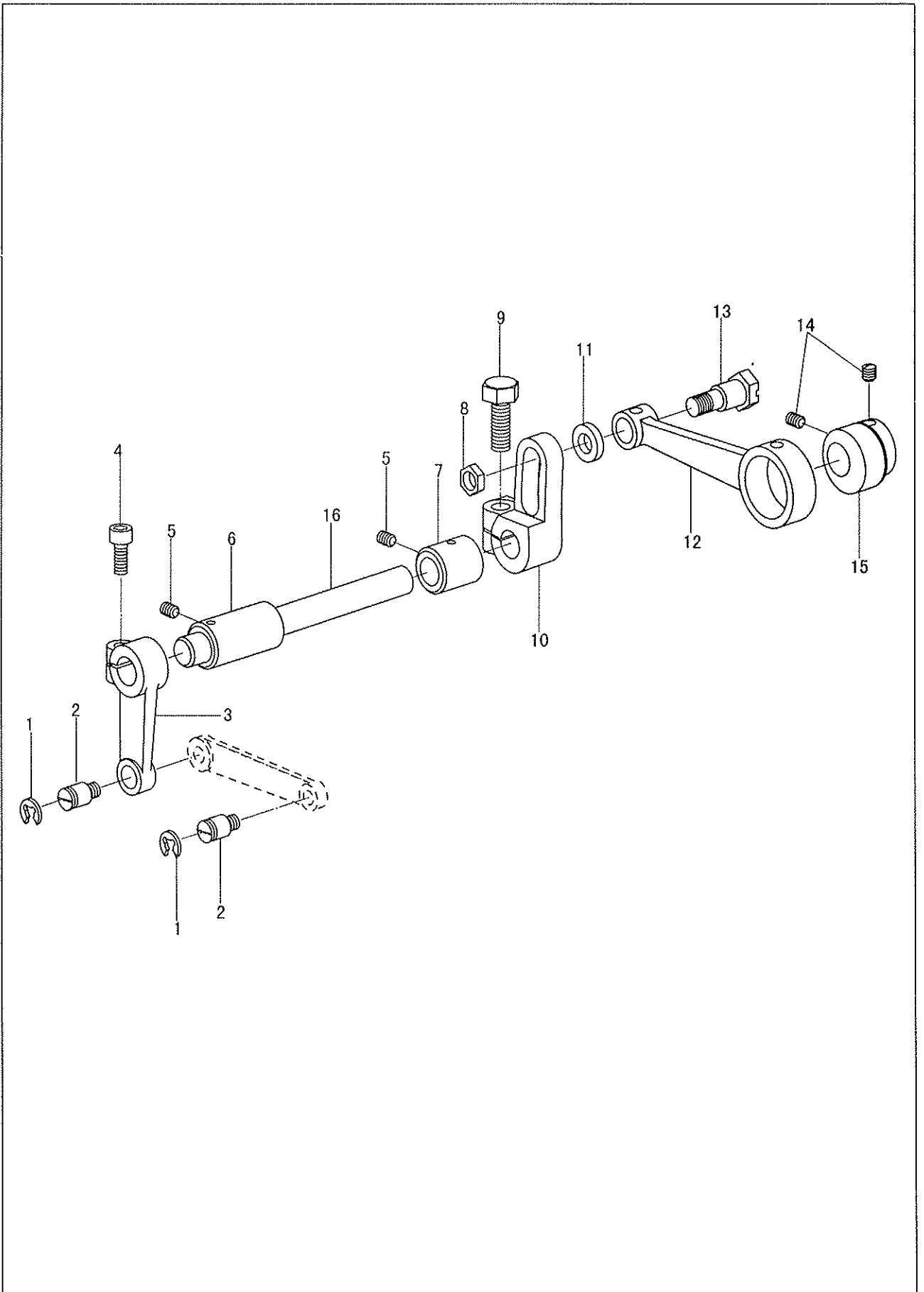
4. Needle bar and upper feed components(TW1-273)



4. Needle bar and upper feed components(TW1-273)

| No . | Parts No . | Name | Qty. | Remarks |
|------|------------|------------------------------|------|------------|
| 1 | | Needle | 1 | DY×3 26" |
| 2 | 52WF1-019 | Needle bar thread guide | 1 | |
| 3 | 16WF2-020 | Screw | 1 | |
| 4 | 52WF2-015 | Needle bar | 1 | |
| 5 | 52WF1-017 | Needle bar bushing(lower) | 1 | |
| 6 | 52WF2-018 | Screw | 1 | |
| 7 | 22T3-007C2 | Screw | 2 | |
| 8 | 52WF1-020 | Needle bar connector | 1 | |
| 9 | 17T1-012 | Screw | 1 | |
| 10 | 52WF1-016 | Needle bar bushing(upper) | 1 | |
| 11 | 52WF1-021 | Needle bar bushing covre | 1 | |
| 12 | 52WF1-022 | Fixing plate | 1 | |
| 13 | 1WF5-039 | Screw | 2 | |
| 14 | 52WF5-024 | Adjusting bar | 1 | |
| 15 | | Adjusting bar retainer | 2 | |
| 16 | 52WF5-027 | Adjusting block | 1 | |
| 17 | 52WF5-025 | Presser foot adjusting frame | 1 | |
| 18 | 52WF5-029 | Hand screw | 1 | |
| 19 | 52WF5-030 | Collar | 1 | |
| 20 | 52WF5-021 | Slide block | 1 | |
| 21 | 52WF5-023 | Nut | 2 | |
| 22 | 52WF5-022 | Screw | 2 | |
| 23 | 52WF5-020 | Screw | 1 | |
| 24 | 21WF1-020 | Screw | 1 | |
| 25 | 52WF5-019 | Prwsser foot rocking lever | 1 | |
| 26 | 52WF5-015 | Presser foot rocking shaft | 1 | |
| 27 | 17T5-016 | Screw | 3 | GB896-86-8 |
| 28 | 52WF1-017 | Bushing | 1 | |
| 29 | 52WF5-026 | Adjusting frame shaft | 1 | |
| 30 | 52WF5-030 | Collar | 1 | |
| 31 | 52WF5-003 | Screw | 1 | |
| 32 | 52WF5-016 | Presser foot rocking crank | 1 | |
| 33 | 52WF5-017 | Bushing | 1 | |
| 34 | 52WF4-002 | Screw | 2 | |
| 35 | 52WF1-041 | Collar | 1 | |
| 36 | 52WF4-005 | Pin | 1 | |
| 37 | 60WF5-005 | Rocking link | 2 | |
| 38 | | Lock spring | 7 | |
| 39 | 52WF5-035 | Spring | 1 | |
| 40 | 52WF5-036 | Pressure adjusting rod | 1 | |
| 41 | 52WF5-038 | Screw | 1 | |
| 42 | 52WF5-037 | Bracket | 1 | |
| 43 | 52WF5-031 | Walking foot plate | 1 | |
| 44 | 52WF5-034 | Presser plate | 1 | |
| 45 | 37T2-210 | Screw | 4 | |
| 46 | 52WF5-033 | Screw | 1 | |
| 47 | 52WF5-032 | Presser foot | 1 | |
| 48 | 52WF5-014 | Connecting pin | 4 | |
| 49 | 52WF5-041 | Presser foot rocking link | 1 | |
| 50 | 52WF5-042 | Swing plate | 1 | |
| 51 | 52WF5-040 | Presser foot lifting link(2) | 1 | |
| 52 | 52WF5-039 | Presser foot lifting link(1) | 1 | |
| 53 | 52WF5-043 | Pin | 1 | |
| 54 | 52WF5-044 | Supporter | 1 | |
| 55 | 7KT1-007 | Nut | 1 | |
| 56 | 52WF5-045 | Screw | 1 | |
| 57 | 52WF5-009 | Screw | 1 | |
| 58 | 52WF5-010 | Washer | 1 | |
| 59 | 52WF5-011 | Nut | 1 | |

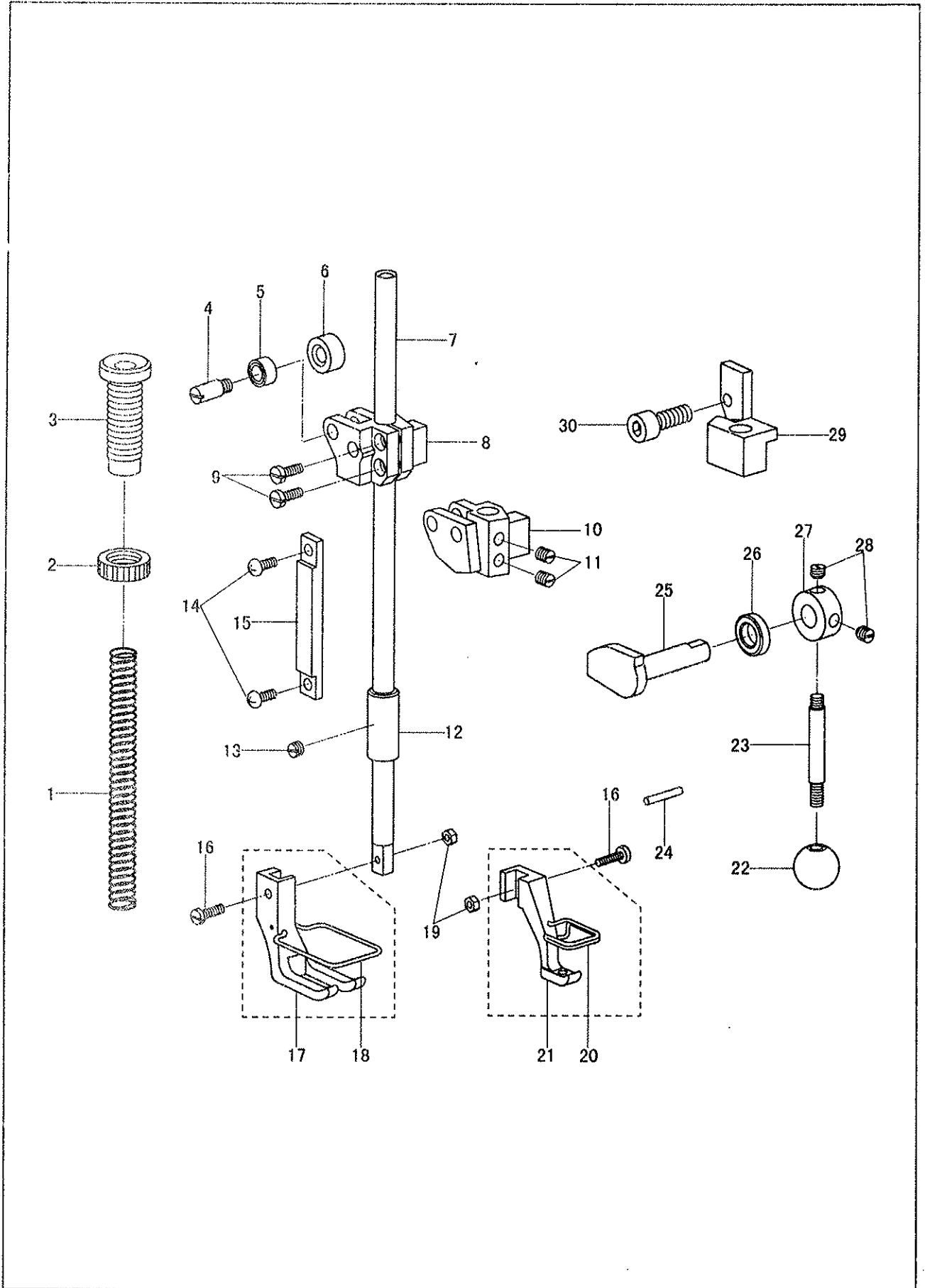
5. Presser foot lifting components




5.Presser foot lifting components

| No . | Parts No . | Name | Qty. | Remarks |
|------|------------|------------------------------|------|------------|
| 1 | | Lock spring | 2 | GB896-86-8 |
| 2 | 52WF5-014 | Connecting pin | 2 | |
| 3 | 52WF5-002 | Lifting crank(front) | 1 | |
| 4 | 52WF5-003 | Screw | 1 | |
| 5 | 17T5-016 | Screw | 2 | |
| 6 | 52WF5-005 | Lifting shaft bushing(front) | 1 | |
| 7 | 52WF5-006 | Lifting shaft bushing(rear) | 1 | |
| 8 | 52WF5-011 | Nut | 1 | |
| 9 | 52WF5-008 | Screw | 1 | |
| 10 | 52WF5-007 | Lifting sdjuating crank | 1 | |
| 11 | 52WF5-010 | Washer | 1 | |
| 12 | 52WF5-012 | Lifting eccentric link | 1 | |
| 13 | 52WF5-009 | Screw | 1 | |
| 14 | 22WF4-002 | Screw | 2 | |
| 15 | 52WF5-001 | Lifting eccentric | 1 | |
| 16 | 52WF5-004 | Lifting shaft | 1 | |

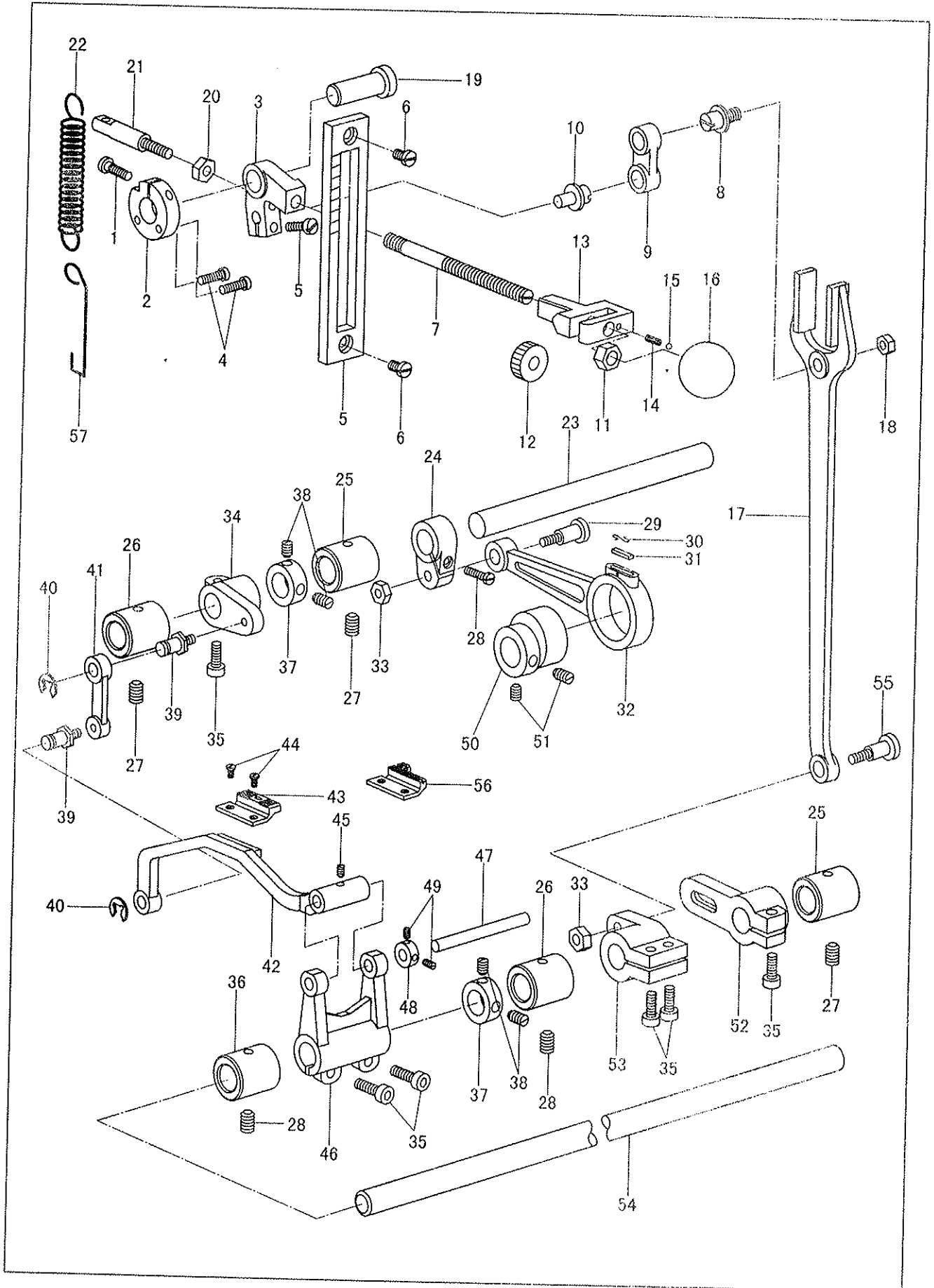
6. Presser bar components



6. Presser bar components

| No. | Parts No. | Name | Qty. | Remarks |
|-----|-----------|---|------|------------------------------------|
| 1 | 52WF3-004 | Spring | 1 | |
| 2 | 52WF3-006 | Nut | 1 | |
| 3 | 52WF3-005 | Screw | 1 | |
| 4 | 52WF3-014 | Shaft | 1 | |
| 5 | | Needle bearing | 1 | $\Phi 10 \times \Phi 7 \times 7.7$ |
| 6 | 52WF3-031 | Bushing | 1 | |
| 7 | 52WF3-001 | Presser bar | 1 | |
| 8 | 58WF3-003 | Presser bar lifting crank | 1 | For TW1-243 |
| 9 | 1WF4-034 | Screw | 2 | For TW1-243 |
| 10 | 52WF3-013 | Presser bar lifting crank | 1 | For TW1-273 |
| 11 | 6A6-08A | Screw | 2 | For TW1-273 |
| 12 | 52WF3-002 | Presser bar bushing | 1 | |
| 13 | 52WF1-018 | Screw | 1 | |
| 14 | 52WF2-017 | Screw | 2 | |
| 15 | 52WF3-012 | Guide plate | 1 | |
| 16 | 52WF3-018 | Screw | 1 | |
| 17 | 52WF3-004 | Presser foot 58WF3-004 | 1 | For TW1-243 |
| 18 | 52WF3-001 | Finger guard | 1 | For TW1-243 |
| 19 | 52WF3-009 | Nut  | 1 | |
| 20 | 52WF3-003 | Finger guard | 1 | For TW1-273 |
| 21 | 52WF3-017 | Walking foot | 1 | For TW1-273 |
| 22 | 52WF3-011 | Presser bar lifting bar | 1 | |
| 23 | 52WF3-009 | Presser bar lifting shaft | 1 | |
| 24 | | Pin | 1 | GB879-86 3×20 |
| 25 | 52WF3-007 | Presser bar lifting cam | 1 | |
| 26 | 52WF3-008 | Washer | 1 | |
| 27 | 52WF3-010 | Collar | 1 | |
| 28 | 52WF1-043 | Screw | 2 | |
| 29 | 52WF3-015 | Bracket | 1 | |
| 30 | 52WF3-016 | Screw | 1 | |

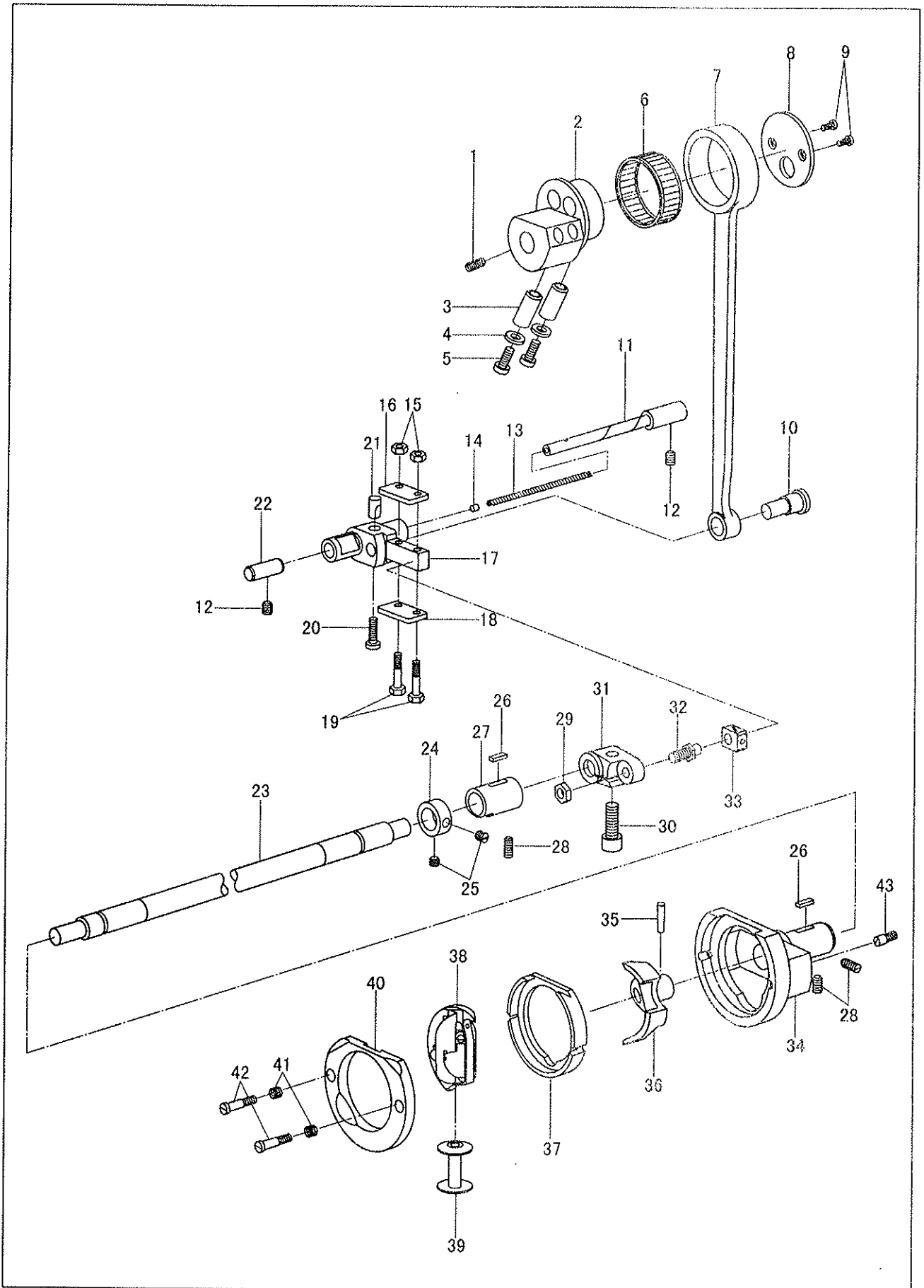
7. Stitch length regulating components



7. Stitch length regulating components

| No . | Parts No . | Name | Qty. | Remarks |
|------|---------------------|------------------------------|------|-------------|
| 1 | 52WF4-020 | Screw | 1 | |
| 2 | 52WF4-019 | Stopper | 1 | |
| 3 | 60WF4-021 | Feed regulator | 1 | |
| 4 | 1WF4-034 | Screw | 2 | |
| 5 | 60WF4-022 | Graduation board | 1 | |
| 6 | 7KT4-030 | Screw | 2 | |
| 7 | 52WF4-023 | Screw bar | 1 | |
| 8 | 52WF4-021 | Fork link shaft | 1 | |
| 9 | 52WF4-016 | Fork link | 1 | |
| 10 | 52WF4-029 | Pin | 1 | |
| 11 | 52WF4-025 | Nut | 1 | |
| 12 | 52WF4-024 | Nut | 1 | |
| 13 | 52WF4-026 | Lever | 1 | |
| 14 | 22WF4-030 | Spring | 1 | |
| 15 | | Steel ball | 1 | φ3.7 |
| 16 | 7KT4-034 | Lever grip | 1 | |
| 17 | 60WF4-020 | Feed fork | 1 | |
| 18 | 7KT1-007 | Nut | 1 | |
| 19 | 7KT4-023 | Crank | 1 | |
| 20 | 60WF4-025 | Nut | 1 | |
| 21 | 60WF4-024 | Spring bar | 1 | |
| 22 | 60WF4-023 | Spring | 1 | |
| 23 | 60WF4-001 | Feed dog driving shaft | 1 | |
| 24 | 60WF4-002 | Feed dog crank(right) | 1 | |
| 25 | 60WF4-011 | Driving shaft bushing(rear) | 2 | |
| 26 | 60WF4-010 | Driving shaft bushing(front) | 2 | |
| 27 | JO.0.40 | Screw | 5 | |
| 28 | 60WF4-003 | Screw | 1 | |
| 29 | 60WF4-007 | Screw | 1 | |
| 30 | 22WF4-040 | Lock spring | 1 | |
| 31 | 22WF4-039 | Oil filt | 1 | |
| 32 | 60WF4-066 | Feed dog driving link | 1 | |
| 33 | 7KT1-007 | Nut | 2 | |
| 34 | 60WF4-004 | Feed dog driving crank(left) | 1 | |
| 35 | 60WF4-005 | Screw | 6 | |
| 36 | 60WF4-013 | Feed shaft bushing(front) | 1 | |
| 37 | 22T3-002B1 | Collar | 2 | |
| 38 | 22T3-002B2 | Screw | 4 | |
| 39 | 60WF4-014 | Pin shaft | 2 | |
| 40 | | Lock spring | 2 | |
| 41 | 60WF4-016 | Feed dog supporter link | 1 | |
| 42 | 60WF4-018 | Feed dog supporter | 1 | |
| 43 | 60WF4-014 60WF4-014 | Feed dog | 1 | For TW1-243 |
| 44 | | Screw | 2 | 9/64"×40 |
| 45 | 21WF4-045 | Screw | 1 | |
| 46 | 60WF4-015 | Feed dog supporter crank | 1 | |
| 47 | 60WF4-016 | Feed dog supporter shaft | 1 | |
| 48 | 60WF4-017 | Collar | 1 | |
| 49 | 20T2-032C3 | Screw | 2 | |
| 50 | 60WF4-008 | Feed driving cam | 1 | |
| 51 | 22WF4-002 | Screw | 1 | |
| 52 | 60WF5-003 | Rocking link adjusting crank | 1 | |
| 53 | 60WF4-026 | Feed crank(middle) | 1 | |
| 54 | 60WF4-012 | Feed shaft | 1 | |
| 55 | 60WF4-027 | Screw | 1 | |
| 56 | 73WF2-001 | Feed dog | 1 | For TW1-273 |
| 57 | 60WF4-028 | Spring hook | 1 | |

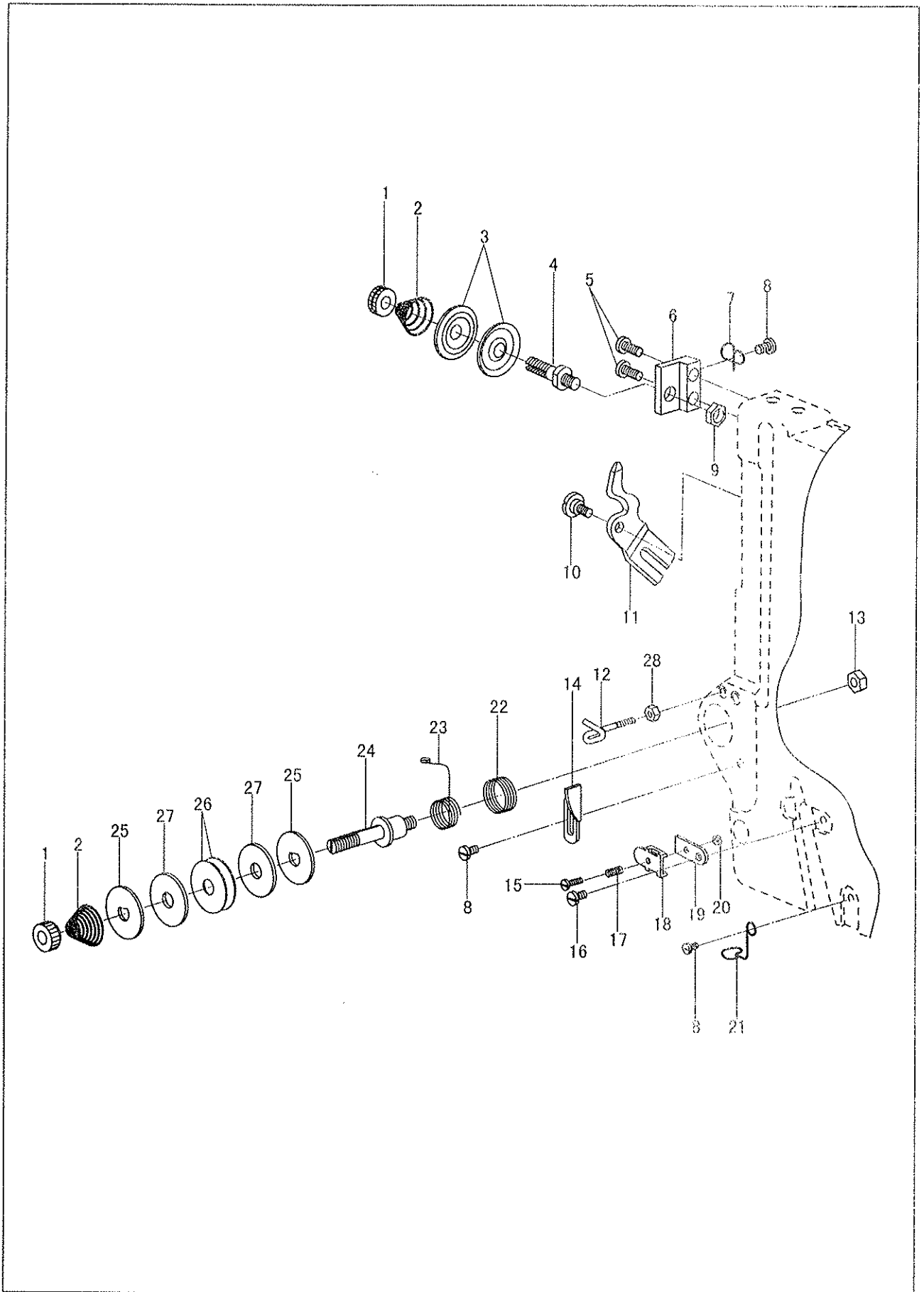
8. Lower shaft driving components



8.Lower shaft driving components

| No . | Parts No . | Name | Qty. | Remarks |
|------|------------|------------------------------|------|-------------|
| 1 | 1WF4-010 | Screw | 1 | |
| 2 | 52WF1-048 | Rocking shaft cam | 1 | |
| 3 | 52WF1-049 | Cam pin | 2 | |
| 4 | 52WF1-051 | Washer | 2 | |
| 5 | 52WF1-050 | Screw | 2 | |
| 6 | | Needle bearing | 1 | φ48× φ43×17 |
| 7 | 52WF1-052 | Rocking shaft link | 1 | |
| 8 | 52WF1-047 | Eccentric plate | 1 | |
| 9 | 49WF2-009 | Screw | 2 | |
| 10 | 52WF1-053 | Pin | 1 | |
| 11 | 52WF1-043 | Hinge pin | 1 | |
| 12 | 01/B602 | Screw | 2 | |
| 13 | 22T1-013 | Oil sick | 1 | |
| 14 | 52WF1-057 | Oil seal | 1 | |
| 15 | 52WF1-023 | Nut | 2 | |
| 16 | 52WF1-044 | Slide plate(1) | 1 | |
| 17 | 52WF1-042 | Rocking shaft | 1 | |
| 18 | 52WF1-045 | Slide plate(2) | 1 | |
| 19 | 52WF1-046 | Screw | 2 | |
| 20 | 52WF1-056 | Screw | 1 | |
| 21 | 52WF1-055 | Pin | 1 | |
| 22 | 52WF1-054 | Hinge pin bushing | 1 | |
| 23 | 60WF1-004 | Bottom shaft | 1 | |
| 24 | 22T3-002B1 | Collar | 1 | |
| 25 | 1WF2-052 | Screw | 2 | |
| 26 | 22T3-007C2 | Oil felt | 2 | |
| 27 | 52WF1-029 | Bottom shaft bushing(rear) | 1 | |
| 28 | JO.O.5 | Screw | 2 | |
| 29 | 7KT1-007 | Nut | 1 | |
| 30 | 52WF1-026 | Screw | 1 | |
| 31 | 52WF1-023 | Bottom shaft crank(rear) | 1 | |
| 32 | 52WF1-025 | Bottom shaft crank pin(rear) | 1 | |
| 33 | 52WF1-024 | Slide block | 1 | |
| 34 | 60WF1-001 | Shuttle bed supporter | 1 | |
| 35 | 7KT5-055 | Pin | 1 | |
| 36 | 60WF1-005 | Shuttle driver | 1 | |
| 37 | 60WF1-003 | Shuttle race body | 1 | |
| 38 | | Shuttle | 1 | KSP204-N |
| 39 | 52WF1-033 | Bobbin | 1 | |
| 40 | 52WF1-002 | Hook cover | 1 | |
| 41 | 52WF1-038 | Spring | 1 | |
| 42 | 52WF1-039 | Screw | 2 | |
| 43 | 52WF1-006 | Pin | 1 | |

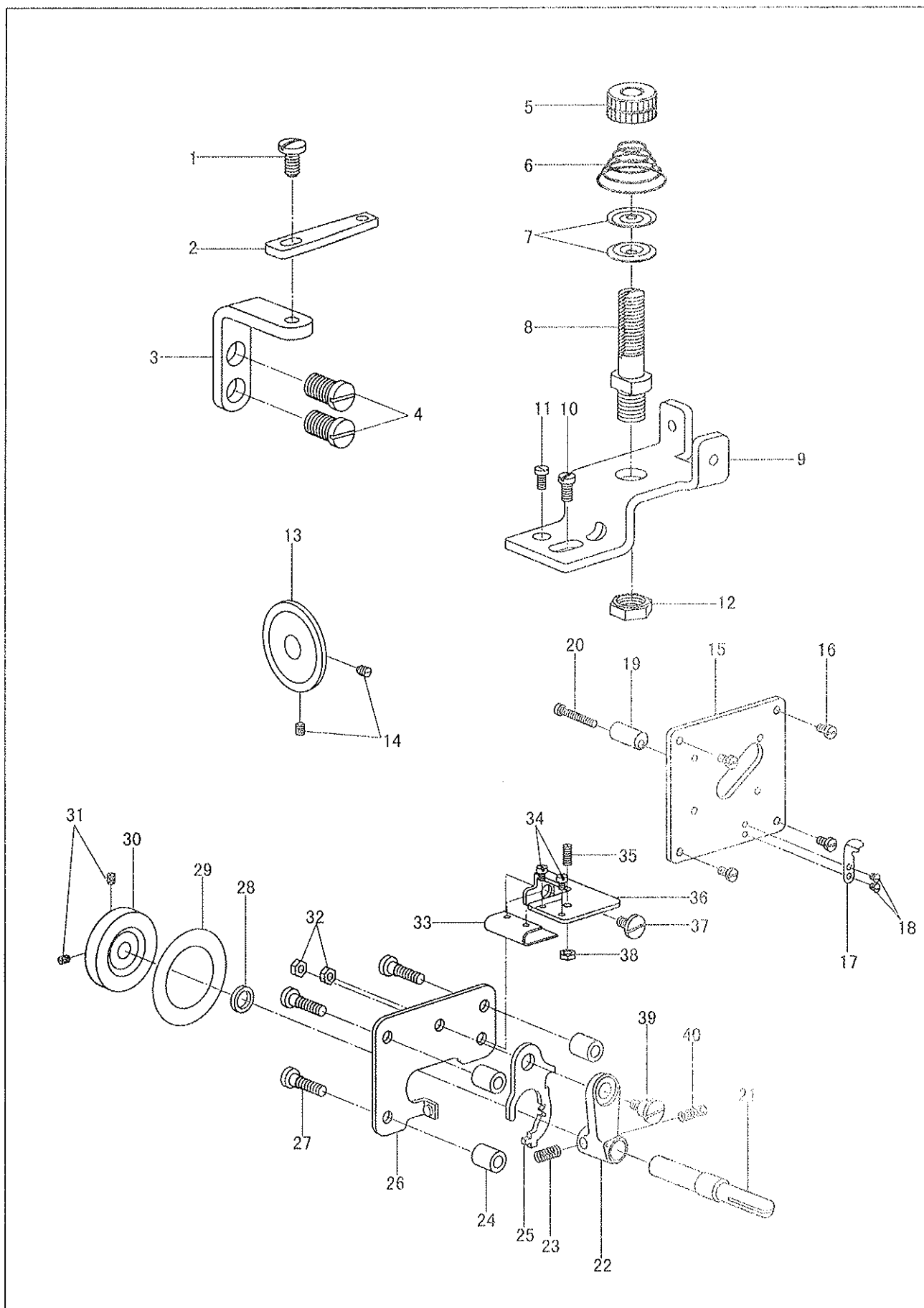
9. Threading components



9. Threading components

| No . | Parts No . | Name | Qty. | Remarks |
|------|------------|-----------------------------|------|-----------|
| 1 | 6K4-022 | Nut | 1 | |
| 2 | 6K4-027 | Thread tension spring | 1 | |
| 3 | 22T1-012F5 | Thread tension disc | 2 | |
| 4 | 52WF2-010 | Thread tension post | 1 | |
| 5 | 1WF2-039 | Screw | 2 | |
| 6 | 52WF2-011 | Thread tension post bracket | 1 | |
| 7 | 52WF2-012 | Thread tension guide | 1 | |
| 8 | 16WF12-059 | Screw | 3 | |
| 9 | 7KT1-007 | Nut | 1 | |
| 10 | 52WF2-014 | Screw | 1 | |
| 11 | 52WF2-013 | Thread releasing plate | 1 | |
| 12 | 52WF2-052 | Thread guide | 1 | |
| 13 | 6K2-040 | Nut | 1 | |
| 14 | 52WF2-016 | Spring support plate | 1 | 15/64"×28 |
| 15 | 52WF2-058 | Screw | 1 | |
| 16 | 16WF2-015 | Screw | 1 | |
| 17 | 52WF2-024 | Arm thread guide spring | 1 | 1/8"×44 |
| 18 | 52WF2-021 | Arm thread guide | 1 | |
| 19 | 52WF2-025 | Arm thread guide plate | 1 | |
| 20 | 52WF2-023 | Nut | 1 | |
| 21 | 52WF2-026 | Lower thread guide | 1 | |
| 22 | 6K4-015 | Spring | 1 | |
| 23 | 52WF2-015 | Thread take-up spring | 1 | |
| 24 | 52WF2-017 | Thread tension wheel post | 1 | |
| 25 | 52WF2-019 | Wheel felt | 3 | |
| 26 | 52WF2-018 | Thread tension disc | 1 | |
| 27 | 52WF2-020 | Felt support plate | 2 | |
| 28 | 52WF2-053 | Nut | 1 | |

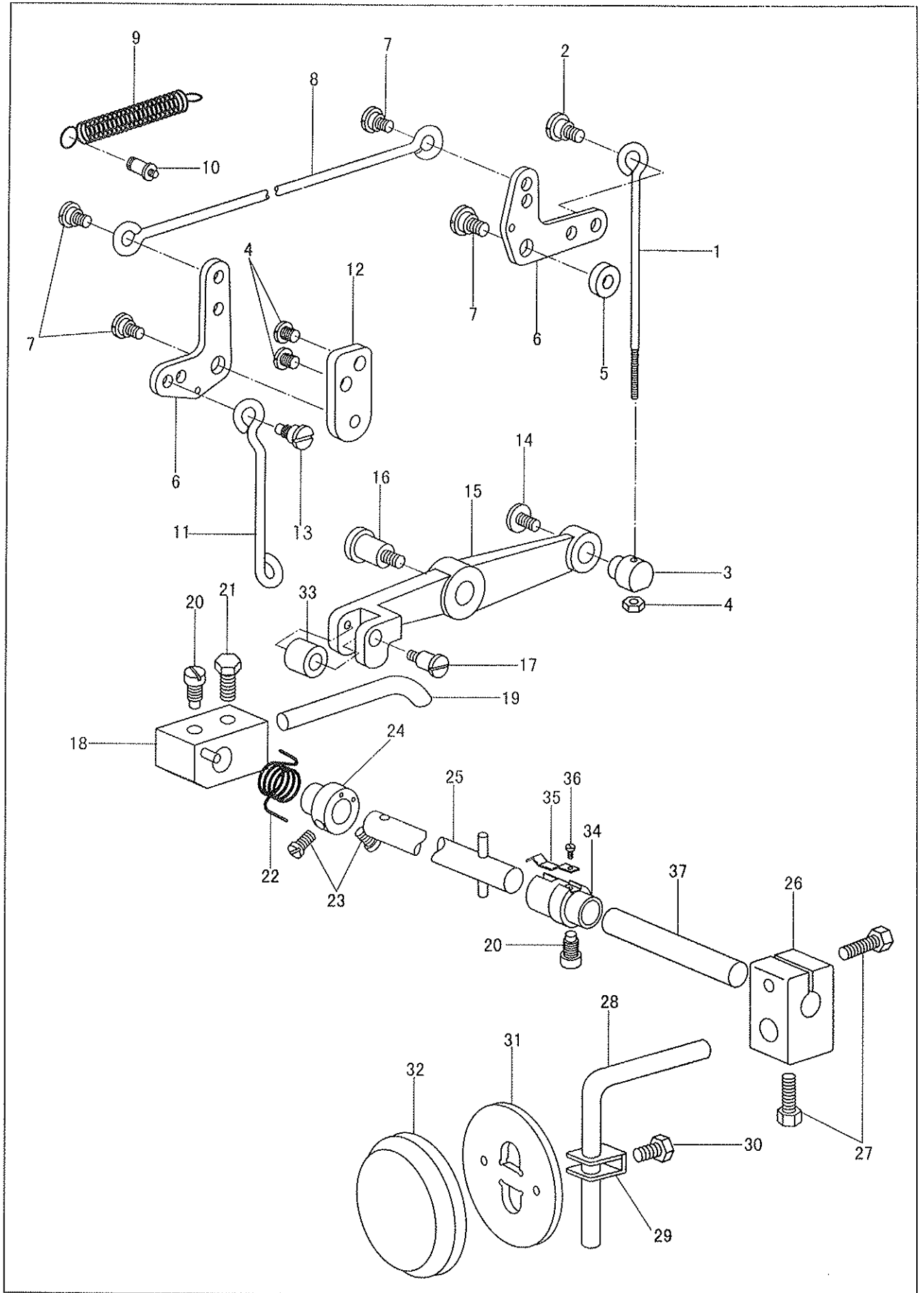
10. Bobbin thread winding components



10. Bobbin thread winding components

| No . | Parts No . | Name | Qty. | Remarks |
|------|------------|-----------------------------|------|---------|
| 1 | 13WF6-024 | Screw | 1 | |
| 2 | 52WF2-048 | Thread guide | 1 | |
| 3 | 52WF2-049 | Thread guide plate | 1 | |
| 4 | 52WF3-027 | Screw | 2 | |
| 5 | 6k4-022 | Nut | 1 | |
| 6 | 52WF2-047 | Bobin thread tension spring | 1 | |
| 7 | 22T1-012F5 | Thread tension disc | 2 | |
| 8 | 52WF2-010 | Thread tension post | 1 | |
| 9 | 52WF2-046 | Thread winder guide base | 1 | |
| 10 | 22T2-019 | Screw | 1 | |
| 11 | JO.O.50 | Screw | 1 | |
| 12 | 7KT1-007 | Nut | 1 | |
| 13 | 52WF2-045 | Friction wheel | 1 | |
| 14 | 17T5-016 | Screw | 2 | |
| 15 | 52WF2-027 | Thread winder plate | 1 | |
| 16 | 21WF3-026 | Screw | 4 | |
| 17 | 52WF2-043 | Thread cutter | 1 | |
| 18 | 6A6-28 | Screw | 2 | |
| 19 | 52WF2-041 | Stopper | 1 | |
| 20 | 52WF2-042 | Screw | 1 | |
| 21 | 52WF2-029 | Winder shaft | 1 | |
| 22 | 52WF2-037 | Winder crank | 1 | |
| 23 | 52WF2-039 | Spring(1) | 1 | |
| 24 | 52WF2-031 | Washer | 3 | |
| 25 | 52WF2-044 | Thread winder bracket | 1 | |
| 26 | 52WF2-028 | Thread winder base | 1 | |
| 27 | 52WF2-030 | Screw | 3 | |
| 28 | 52WF2-036 | Washer | 1 | |
| 29 | 13WF6-019 | Rubber disc | 1 | |
| 30 | 52WF2-035 | Driving wheel | 1 | |
| 31 | | Screw | 2 | |
| 32 | 52WF5-023 | Nut | 2 | |
| 33 | 52WF2-034 | Bobbin presser spring | 1 | |
| 34 | 21WF2-012 | Screw | 2 | |
| 35 | 52WF2-033 | Screw | 1 | |
| 36 | 52WF2-032 | Bobbin presser | 1 | |
| 37 | 52WF2-057 | Screw | 1 | |
| 38 | 52WF2-023 | Nut | 1 | |
| 39 | 52WF5-038 | Screw | 1 | |
| 40 | 52WF2-040 | Spring(2) | 1 | |

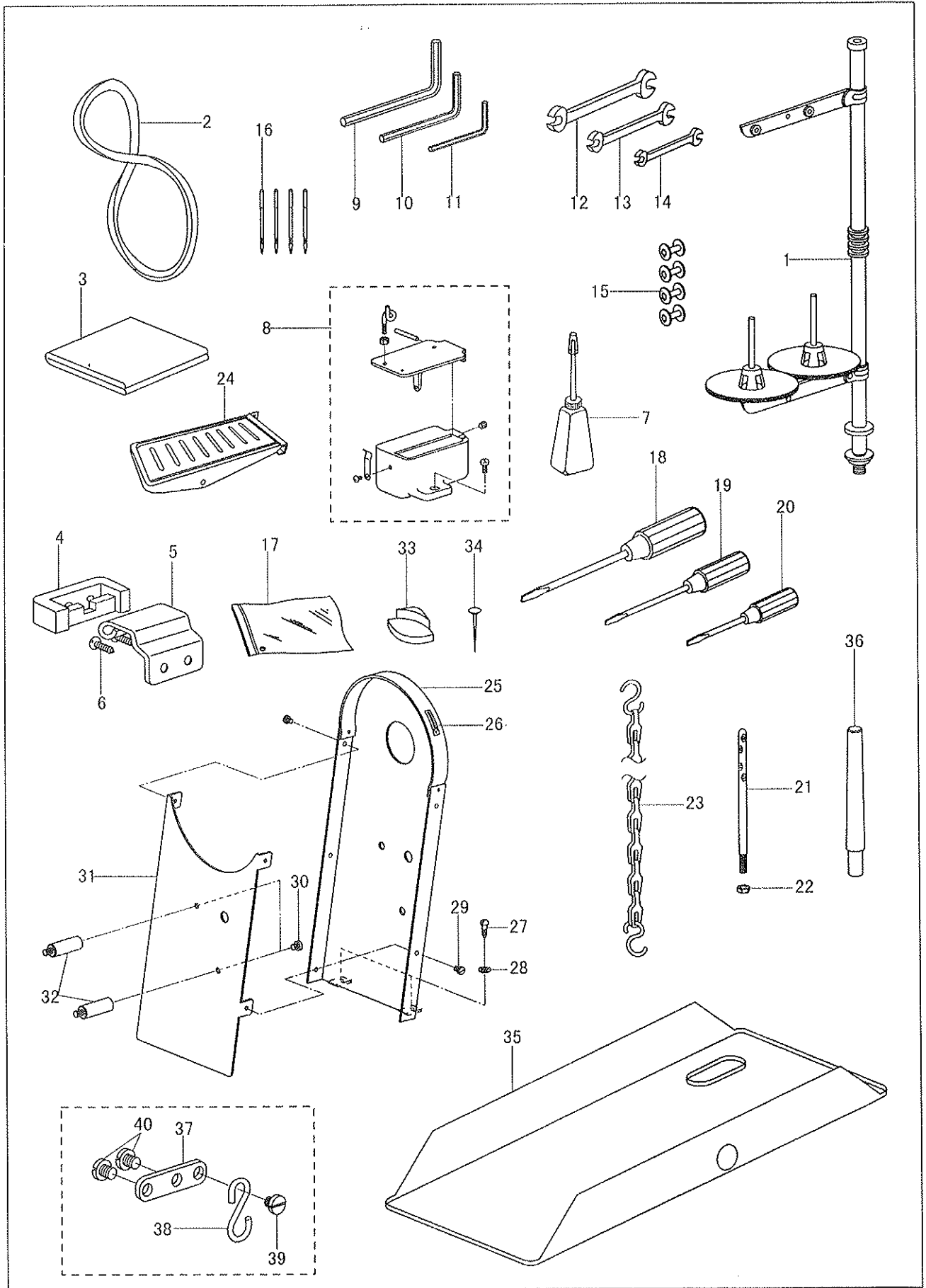
11.Knee lifter components



11.Knee lifter components

| No . | Parts No . | Name | Qty. | Remarks |
|------|------------|-----------------------------|------|---------|
| 1 | 60WF3-001 | Connecting bar | 1 | |
| 2 | 60WF3-016 | Screw | 1 | |
| 3 | 60WF3-003 | Connecting pin | 1 | |
| 4 | 60WF3-002 | Nut | 1 | |
| 5 | 52WF3-021 | Washer | 1 | |
| 6 | 52WF3-020 | Presser bar lifting link | 2 | |
| 7 | 52WF3-025 | Screw | 4 | |
| 8 | 52WF3-024 | Connecting bar | 1 | |
| 9 | 52WF3-022 | Spring | 1 | |
| 10 | 52WF3-023 | Screw | 1 | |
| 11 | 52WF3-028 | Presser bar lifting bar | 1 | |
| 12 | 52WF3-029 | Link basé | 1 | |
| 13 | 52WF3-032 | Screw | 1 | |
| 14 | 60WF3-004 | Screw | 1 | |
| 15 | 60WF3-011 | Knee lifter lever | 1 | |
| 16 | 60WF3-012 | Screw | 1 | |
| 17 | 60WF3-014 | Screw | 1 | |
| 18 | 60WF3-006 | Knee lifter bar block | 1 | |
| 19 | 60WF3-015 | Knee lifter bar | 1 | |
| 20 | 60WF3-007 | Screw | 2 | |
| 21 | 60WF3-005 | Screw | 1 | |
| 22 | 60WF3-009 | Spring | 1 | |
| 23 | 22T2-019 | Screw | 2 | |
| 24 | 60WF3-010 | Collar bushing | 1 | |
| 25 | 60WF3-008 | Knee lifter shaft | 1 | |
| 26 | 60WF6-008 | Knee press rod mounting arm | 1 | |
| 27 | 60WF6-007 | Screw | 2 | |
| 28 | 22T9-003B4 | Knee press rod | 1 | |
| 29 | 22T9-003B6 | Knee press rod bracket | 1 | |
| 30 | 22T9-003B7 | Screw | 1 | |
| 31 | 22T9-003B5 | Knee press plate | 1 | |
| 32 | 22T9-003B8 | Knee press plate pad | 1 | |
| 33 | 60WF3-013 | Knee lifter lever roller | 1 | |
| 34 | 60WF6-010 | Knee press joint | 1 | |
| 35 | 60WF6-011 | Presser spring | 1 | |
| 36 | 19WF4-002 | Screw | 1 | |
| 37 | 60WF3-009 | Shaft | 1 | |

12. Accessories



12. Accessories

| No . | Parts No . | Name | Qty. | Remarks |
|------|------------|----------------------------|------|----------|
| 1 | 4F-007 | Thread stand assembly | 1 | |
| 2 | | V-belt | 1 | M58 |
| 3 | 52WF6-001 | Machine head cover | 1 | |
| 4 | 22T9-007F2 | Hinge cushion | 2 | |
| 5 | 60WF6-006 | Hinge | 2 | |
| 6 | 52WF1-009 | Screw | 4 | |
| 7 | 33TF-010 | Oil pot | 1 | |
| 8 | | Silicon oil box assembly | 1 | |
| 9 | | Hexagon wrench(big) | 1 | S=5MM |
| 10 | | Hexagon wrench(middle) | 1 | S=4MM |
| 11 | | Hexagon wrench(small) | 1 | S=3MM |
| 12 | | Wrench(big) | 1 | 12×14 |
| 13 | | Wrench(middle) | 1 | 11×13 |
| 14 | | Wrench(small) | 1 | 10×9 |
| 15 | 52WF1-033 | Bobbin | 4 | |
| 16 | | Needle | 4 | DY×3 26# |
| 17 | 33TF-010 | Parts bag | 1 | |
| 18 | 33TF-012 | Screwdriver(big) | 1 | |
| 19 | 33TF-013 | Screwdriver(middle) | 1 | |
| 20 | 33TF-014 | Screwdriver(small) | 1 | |
| 21 | 52WF2-054 | Thread guide pin | 1 | |
| 22 | 52WF5-023 | Nut | 1 | |
| 23 | 18WF1-016 | Chain | 1 | |
| 24 | 18WF8-013 | Knee lifter pedal assembly | 1 | |
| 25 | 60WF6-012 | Belt guard A | 1 | |
| 26 | 50WF5-012 | Indicator | 1 | |
| 27 | 33TF-017 | Screw | 2 | |
| 28 | 33TF-018 | Washer | 2 | |
| 29 | 33T3-006 | Screw1 | 5 | |
| 30 | N3-7-27 | Screw2 | 2 | |
| 31 | 60WF6-013 | Belt guardB | 1 | |
| 32 | 52WF6-004 | Screw | 2 | |
| 33 | 3KT2-004 | Cushion | 4 | |
| 34 | 33TF-004 | Bolt | 12 | |
| 35 | 60WF6-001 | Oil pan | 1 | |
| 36 | 3KT2-001 | Machine head supporter | 1 | |
| 37 | 52WF3-026 | Link plate | 1 | |
| 38 | 18WF1-016 | S-hook | 1 | |
| 39 | 53WF3-030 | Screw | 1 | |
| 40 | 52WF3-027 | Screw | 2 | |

TW1-243/273

SINGLE NEEDLE COMPOUND FEED
TOP AND BOTTOM FEED EXTRA HEAVY DUTY
LOCKSTITCH SEWING MACHINE



This machine may only be operated by adequately trained operators only after having completely read and understood the instruction manual.

Parts are subject to changes in design without prior notice.



Certificate of the international ISO9001



Certificate of the ISO14001



Certificate of the international CE



Certificate for Ecolabeling Product



Certificate for Energy Conservation Product

VETRON TYPICAL EUROPE GmbH

Clara-Immerwahr-Str. 6
67661 Kaiserslautern, Germany
Tel.: +49 6301 320 75-0
Fax: +49 6301 320 75-11

info@vetrontypical.com
www.vetrontypical.com